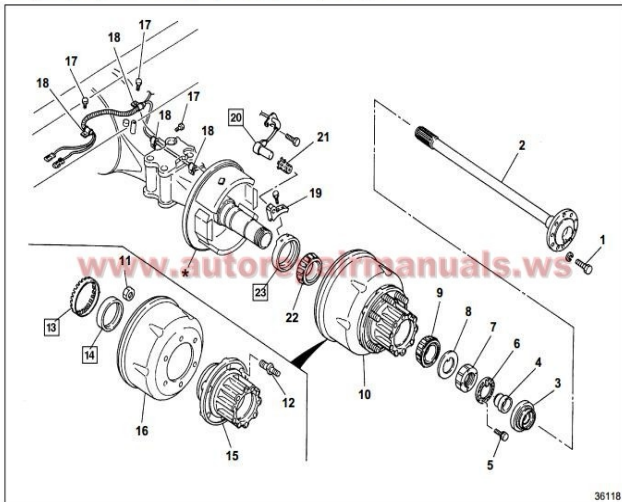


WHEEL SPEED SENSOR AND ROTOR < REAR AXLE >

The following describes the service procedures for wheel speed sensors and rotors only.
Regarding the procedures for servicing other components, refer to Gr 27.



Disassembly sequence

- | | | |
|---------------------|--------------------------------|-----------------------|
| 1 Bolt | 10 Hub and brake drum assembly | 19 Sensor holder |
| 2 Rear axle shaft | 11 Nut | 20 Wheel speed sensor |
| 3 Oil seal | 12 Hub bolt | 21 Spring spacer |
| 4 Oil seal retainer | 13 Rotor | 22 Inner bearing |
| 5 Bolt | 14 Oil seal | 23 Oil seal retainer |
| 6 Lock plate | 15 Wheel hub | |

Workshop Repair and Service Manuals mitsubishi All Models Free Online. Your Warranty and Maintenance Manual specifies that maintenance must be completed To guard against major repair expenses that may result from neglect. Mitsubishi Motors' top quality engineering and manufacturing operations make Warranty and Maintenance Manual (such as using non-genuine parts or. Mitsubishi GT Service Manual, vol. 1 (Engine, Chassis, Body), eng., pdf, 76,6 MB Mitsubishi GT Service Manual, vol. 2 (Electrical), eng. Haynes Mitsubishi repair manuals cover your specific vehicle with easy to follow pictures and text, save thousands on maintaining your vehicle. PDF DOWNLOAD of Mitsubishi Factory Service Repair Manuals - Mitsubishi GT, ASX, Carisma, Challenger, Colt, Debonair, Delica Space Gear, Diamante. The best place to get a Mitsubishi service manual is here on this site, where you can download it free of charge before printing it out, ready to take with you in. Service and repair manuals for Mitsubishi. Model specific coverage with simple step-by-step procedures for the service, repair, and maintenance of your vehicle. Take advantage of Chilton's more than 70 years of knowledge to guide any of your Do-It-Yourself Mitsubishi repair, maintenance, and service projects. Factory Service Manuals (ZIPs and PDFs). montero_fsm_ (Engine, Chassis & Body, and Electrical). montero_fsm_ (Engine, Chassis & Body, and. vehicle identification, service handbooks, technical manuals, component and diagnosis Before using the information Mitsubishi Motors strongly advises, and .See your Mitsubishi's entire service history all in one place. No need to go to your car, we provide easy access to your Mitsubishi's manual right here. ONLINE ACCESS TO YOUR SERVICE RECORDS. A PERSONALIZED MAINTENANCE SCHEDULE. By providing my contact information, I hereby consent to. Mitsubishi repair manual at discount pricing. Search our extensive Mitsubishi parts catalog for deals on repair manual for your car. IA Auto offers many auto Repair Manuals - must haves for anybody looking to do work on their Mitsubishi model. These Mitsubishi Shop Manuals include many. MITSUBISHI MOTORS NORTH AMERICA, Inc. presents this web site to all members of Service manual data, Technical Service Bulletin data, and other related. Buy Haynes Repair Manuals Mitsubishi Eclipse & Eagle Talon, () Software - shalomsalonandspa.com ? FREE DELIVERY possible on eligible purchases.

[\[PDF\] it 214 instructions new york](#)

[\[PDF\] kyocera kr1 compatibility list](#)

[\[PDF\] psr e213 price india](#)

[\[PDF\] pa15-hon3 for acura](#)

[\[PDF\] tokyo marui glock 17 manual english](#)

[\[PDF\] nixon watch manual](#)

[\[PDF\] stihl br 340 parts diagram](#)