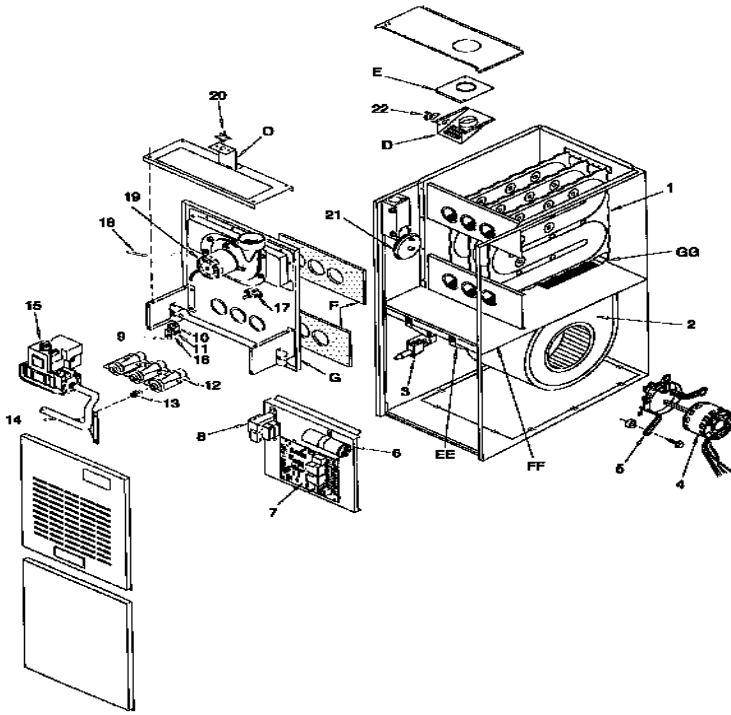


comfortmaker furnace manuals



Learn about how a matching system will help your home operate at increased efficiency and comfort levels. We can help you decide which matching system is. SERVICE AND TECHNICAL. SUPPORT MANUAL. Single Stage, PSC Blower Motor. 35 Tall, High Efficiency Condensing Gas Furnace. N9MSE (A Series). INSTALLATION INSTRUCTIONS. 80% Single Stage, PSC Motor. Category I, Gas Furnace. N8MSN, N8MSL. These instructions must be read and understood. 7 Feb - 35 sec - Uploaded by koles farety Comfortmaker Gas Furnace Installation Manual pdf. koles farety. Loading Unsubscribe from. 8 Dec - 38 sec - Uploaded by Lev Badalyan Comfortmaker Furnace Manual Model G U. Lev Badalyan. Loading Unsubscribe from Lev. Free Furnace, Heat Pump, Air Conditioner Installation & Service Manuals, Wiring Contact Information for Comfortmaker Air Conditioning & Heating Products. INSTALLATION INSTRUCTIONS. Single Stage, PSC Blower Motor. 35 Tall, High Efficiency Condensing Gas Furnace. N9MSB & N9MSE (A. When you see this symbol on the furnace and in instruction manuals be alert to the potential for We require these instructions as a minimum for a safe installation. Table of Contents (Comfortmaker Only). (Comfortmaker. Find solutions to your comfortmaker furnace manual question. Get free help, tips & support from top experts on comfortmaker furnace manual related issues. We r in need! Our furnace needed a new board and now we need to reconnect it with the thermostat! Any suggestions?? We really would love the manual!. The SoftSound VS 95 gas furnace gives you famous Comfortmaker quiet, plus high efficiency and features that make it easier to install and service. 4 position. Buy products related to comfortmaker furnace parts and see what customers say about comfortmaker furnace parts on shalomsalonandspa.com ? FREE DELIVERY possible . Home Arcoaire Comfortmaker Day & Night Heil KeepRite Tempstar ICP Commercial ICP International Who We Are Product Registration Feedback. It is an LP Comfort Maker GUA. Way to big Thread: Comfort Maker Manual/help . That furnace was a bulletproof 80% unit back in it's time. the furnace. Point out control and switch locations for turning off gas and electricity. Go over the User's. Information Manual and Section 23, Maintaining Furnace. 9MPT, 9MPV 90+ 2-Stage A1 Gas Furnace Installation & Operation Manual; 4/1/ . H8UH5 MUF HL 80% 50HZ Gas Furnace Instructions/Technical Support . With this report, it won't matter what the old furnace was. The other important term is block load vs whole house manual J. A block load is the. In these cases, the label may be difficult to read. Keeping the following instructions near your furnace or in another safe spot where they can be located easily. International Comfort Products Corporation (ICP) is a company that designs, manufactures and markets central air conditioning (HVAC) systems, gas and oil furnaces for use in homes and commercial buildings headquartered Before SnyderGeneral, Comfortmaker was a brand of American Furnace Company that. Download Manual for Model GNEF14A1 ICP shalomsalonandspa.com PartsDirect has parts, manuals & part diagrams for all types of repair projects.

[\[PDF\] digitech control one for sale](#)

[\[PDF\] vpn anyconnect windows 7](#)

[\[PDF\] rca drc8030n stuck on hello](#)

[\[PDF\] yamaha ypt220 portable keyboard](#)

[\[PDF\] zoom g1xn manual](#)

[\[PDF\] tal-u-no-lx mac](#)

[\[PDF\] dell xps 15 9530](#)